

CONEX A

d mm	D mm	B mm	L mm	M mm	T _s Nm	T Nm	F kN	P N/mm ²
17	47	20	26	M 6	16	260	31	104
18	47	20	26	M 6	16	280	31	104
19	47	20	26	M 6	16	290	31	104
20	47	20	26	M 6	16	310	31	104
22	47	20	26	M 6	16	340	31	104
24	50	20	26	M 6	16	370	31	98
25	50	20	26	M 6	16	390	31	98
28	55	20	26	M 6	16	650	46	133
30	55	20	26	M 6	16	700	47	133
32	60	20	26	M 6	16	750	47	122
35	60	20	26	M 6	16	820	47	122
38	65	20	26	M 6	16	1100	58	141
40	65	20	26	M 6	16	1170	59	141
42	75	24	32	M 8	40	1670	80	145
45	75	24	32	M 8	40	1790	80	145
48	80	24	32	M 8	40	1900	79	136
50	80	24	32	M 8	40	1990	80	136
55	85	24	32	M 8	40	2740	100	160
60	90	24	32	M 8	40	2990	100	151
65	95	24	32	M 8	40	3240	100	143
70	110	28	38	M 10	78	5550	159	160
75	115	28	38	M 10	78	5950	159	153
80	120	28	38	M 10	78	6350	159	146
85	125	28	38	M 10	78	6740	159	140
90	130	28	38	M 10	78	7140	159	135
95	135	28	38	M 10	78	9000	189	156
100	145	32	44	M 12	135	11600	232	164
110	155	32	44	M 12	135	12750	232	153
120	165	32	44	M 12	135	14800	247	153
130	180	38	50	M 12	135	20150	310	134
140	190	38	50	M 12	135	23850	341	140
150	200	38	50	M 12	135	27850	371	145
160	210	38	50	M 12	135	32200	403	150
170	225	44	58	M 14	215	40300	475	148
180	235	44	58	M 14	215	46600	518	154
190	250	52	66	M 14	215	57300	604	139
200	260	52	66	M 14	215	71000	711	158
220	285	56	72	M 16	335	93200	849	158
240	305	56	72	M 16	335	117300	979	170

CONEX A

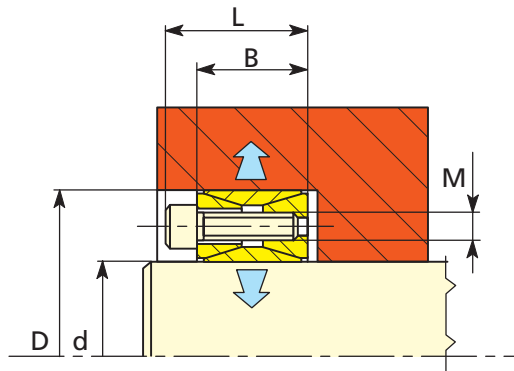
d mm	D mm	B mm	L mm	M mm	T _s Nm	T Nm	F kN	P N/mm ²
260	325	56	72	M 16	335	144000	1110	181
280	355	66	84	M 18	465	177700	1271	158
300	375	66	84	M 18	465	214100	1430	168
320	405	78	98	M 20	660	295800	1852	168
340	425	78	98	M 20	660	314300	1852	160
360	455	90	112	M 22	900	413300	2300	159
380	475	90	112	M 22	900	436300	2300	153
400	495	90	112	M 22	900	459300	2300	147
420	515	90	112	M 22	900	535800	2555	157
440	545	102	130	M 24	1130	647600	2948	149
460	565	102	130	M 24	1130	677000	2948	144
480	585	102	130	M 24	1130	741800	3096	146
500	605	102	130	M 24	1130	809500	3243	148
520	630	102	130	M 24	1130	861000	3317	145
540	650	102	130	M 24	1130	894000	3317	140
560	670	102	130	M 24	1130	989000	3538	146
580	690	102	130	M 24	1130	1067000	3686	148
600	710	102	130	M 24	1130	1103800	3686	143
620	730	102	130	M 24	1130	1186200	3832	145
640	750	102	130	M 24	1130	1271600	3980	147
660	770	102	130	M 24	1130	1359900	4127	148
680	790	102	130	M 24	1130	1401100	4127	144
700	810	102	130	M 24	1130	1545400	4423	150
720	830	102	130	M 24	1130	1589500	4423	147
740	850	102	130	M 24	1130	1688100	4569	149
760	870	102	130	M 24	1130	1789700	4717	149
780	890	102	130	M 24	1130	1865500	4791	149
800	910	102	130	M 24	1130	1942700	4865	148
820	930	102	130	M 24	1130	2051600	5012	149
840	950	102	130	M 24	1130	2163500	5160	150
860	970	102	130	M 24	1130	2278300	5306	151
880	990	102	130	M 24	1130	2396000	5454	152
900	1010	102	130	M 24	1130	2483600	5528	151
920	1030	102	130	M 24	1130	2572600	5602	150
940	1050	102	130	M 24	1130	2697700	5749	151
960	1070	102	130	M 24	1130	2825800	5897	152
980	1090	102	130	M 24	1130	2920700	5970	151
1000	1110	102	130	M 24	1130	3017100	6044	150

T _s (Nm)	Coppia di serraggio viti	Screws tightening torque
T (Nm) F (kN)	Coppia massima o forza assiale trasmissibili con coppia di serraggio viti T _s	Transmissible pick torque or axial force with screws tightening torque T _s
p (N/mm ²)	Pressione superficiale sul mozzo	Hub surface pressure

Grandezze superiori su richiesta / Larger sizes upon request

**Non autocentrante
coppie medio-alte**

**Not self centering
medium-high torques**



CONEX A (pollici/inch)	d inch	D inch	B inch	L inch	M mm	T_s ft-lb	T ft-lb	F lbs	P psi
3/4	0,750	1,850	0,787	1,023	M 6	11	194	6202	13293
7/8	0,875	1,850	0,787	1,023	M 6	11	226	6202	13293
1	1,000	1,969	0,787	1,023	M 6	11	258	6202	12490
1 1/8	1,125	2,165	0,787	1,023	M 6	11	436	9303	17038
1 3/16	1,188	2,159	0,813	1,049	M 6	11	460	9303	17086
1 1/4	1,250	2,362	0,787	1,023	M 6	11	485	9303	15617
1 3/8	1,375	2,365	0,776	1,012	M 6	11	533	9303	15598
1 7/16	1,438	2,559	0,787	1,023	M 6	11	697	11629	18019
1 1/2	1,500	2,559	0,787	1,023	M 6	11	727	11629	18019
1 5/8	1,625	2,953	0,945	1,260	M 8	27	1186	17516	19993
1 11/16	1,688	2,953	0,945	1,260	M 8	27	1232	17516	19993
1 3/4	1,750	2,953	0,945	1,260	M 8	27	1277	17516	19993
1 7/8	1,875	3,150	0,945	1,260	M 8	27	1368	17516	18742
1 15/16	1,938	3,150	0,945	1,260	M 8	27	1331	16485	17640
2	2,000	3,346	0,945	1,260	M 8	27	1717	20607	20758
2 1/8	2,125	3,346	0,945	1,260	M 8	27	1825	20607	20758
2 3/16	2,188	3,543	0,945	1,260	M 8	27	1878	20607	19604
2 1/4	2,250	3,543	0,945	1,260	M 8	27	1932	20607	19604
2 3/8	2,375	3,531	0,996	1,311	M 8	27	2039	20607	19671
2 7/16	2,438	3,740	0,945	1,260	M 8	27	2093	20607	18571
2 1/2	2,500	3,740	0,945	1,260	M 8	27	2147	20607	18571
2 9/16	2,563	3,737	0,959	1,274	M 8	27	2200	20607	18586
2 5/8	2,625	4,331	1,102	1,496	M 10	52	3404	31118	20169
2 11/16	2,688	4,331	1,102	1,496	M 10	52	3485	31118	20169
2 3/4	2,750	4,337	1,079	1,473	M 10	52	3566	31118	20141
2 7/8	2,875	4,528	1,102	1,496	M 10	52	3728	31118	19291
2 15/16	2,938	4,528	1,102	1,496	M 10	52	3809	31118	19291
3	3,000	4,724	1,102	1,496	M 10	52	3890	31118	18491
3 1/8	3,125	4,724	1,102	1,496	M 10	52	4052	31118	18491
3 1/4	3,250	4,921	1,102	1,496	M 10	52	4214	31118	17751
3 3/8	3,375	4,921	1,102	1,496	M 10	52	4376	31118	17751
3 7/16	3,438	5,118	1,102	1,496	M 10	52	4457	31118	17067
3 1/2	3,500	5,118	1,102	1,496	M 10	52	4538	31118	17067
3 3/4	3,750	5,305	1,142	1,536	M 10	52	5835	37342	19759
3 15/16	3,938	5,708	1,301	1,773	M 12	91	7558	46065	20906
4	4,000	5,843	1,299	1,771	M 12	91	7677	46065	20423
4 7/16	4,438	6,496	1,299	1,771	M 12	91	9085	49136	19594
4 1/2	4,500	6,496	1,299	1,771	M 12	91	9213	49136	19594
4 15/16	4,938	7,087	1,496	1,968	M 12	91	12636	61420	17169
5	5,000	7,087	1,496	1,968	M 12	91	12796	61420	17169
5 1/2	5,500	7,492	1,449	1,921	M 12	91	15483	67562	17865
6	6,000	8,268	1,496	1,968	M 12	91	19961	79846	19132
6 1/2	6,500	8,858	1,732	2,283	M 14	138	23477	86684	17352
7	7,000	9,252	1,732	2,283	M 14	138	27581	94564	18123
7 1/2	7,500	9,823	2,126	2,677	M 14	138	34477	110325	16451
7 7/8	7,875	10,235	2,051	2,602	M 14	138	38786	118205	16917