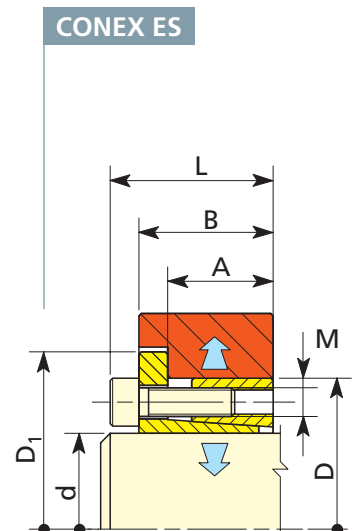
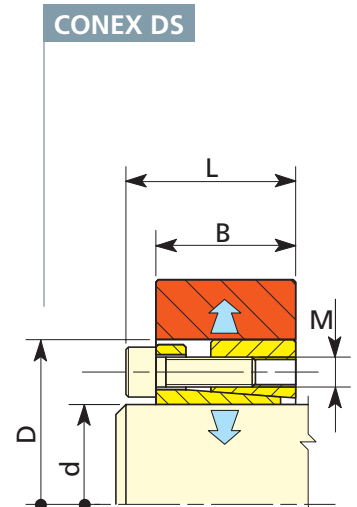


# CONEX DS (short) - CONEX ES (short)

CONEX DS - CONEX ES							CONEX DS				CONEX ES			
d mm	D mm	D <sub>1</sub> mm	A mm	B mm	L mm	M mm	T <sub>s</sub> Nm	T Nm	F kN	P N/mm <sup>2</sup>	T <sub>s</sub> Nm	T Nm	F kN	P N/mm <sup>2</sup>
18	47	53	22	28	34	M 6	14	370	41	140	17	290	32	100
19	47	53	22	28	34	M 6	14	390	41	140	17	300	32	100
20	47	53	22	28	34	M 6	14	410	41	140	17	320	32	100
22	47	53	22	28	34	M 6	14	450	41	140	17	350	32	100
24	50	56	22	28	34	M 6	14	490	41	130	17	390	32	100
25	50	56	22	28	34	M 6	14	510	41	130	17	400	32	100
28	55	61,4	22	28	34	M 6	14	570	41	120	17	450	32	90
30	55	61,4	22	28	34	M 6	14	610	41	120	17	490	32	90
32	60	67	22	28	34	M 6	14	880	55	145	17	700	43	110
35	60	67	22	28	34	M 6	14	960	55	145	17	760	43	110
38	65	72	22	28	34	M 6	14	1000	55	135	17	820	43	100
40	65	72	22	28	34	M 6	14	1100	55	135	17	870	43	100
42	75	84	25	33	41	M 8	35	2200	105	190	41	1700	80	140
45	75	84	25	33	41	M 8	35	2400	105	190	41	1800	80	140
48	80	89	24	33,5	41	M 8	35	2500	105	175	41	1900	80	130
50	80	89	24	33,5	41	M 8	35	2600	105	175	41	2000	80	130
55	85	94	24	33,5	41	M 8	35	2900	105	165	41	2200	80	120
60	90	99	24	33,5	41	M 8	35	3100	105	155	41	2400	80	120
65	95	104	24	33,5	41	M 8	35	3400	105	150	41	2600	80	110
70	110	119	29	40	50	M 10	70	6000	170	175	83	4600	130	130
75	115	124	29	40	50	M 10	70	6400	170	170	83	5000	130	130
80	120	129	29	40	50	M 10	70	6800	170	160	83	5300	130	120
85	125	134	29	40	50	M 10	70	9000	210	190	83	7000	160	150
90	130	139	29	40	50	M 10	70	9600	210	185	83	7400	160	140
95	135	144	29	40	50	M 10	70	10200	210	185	83	7800	160	130
100	145	154	31	44	56	M 12	115	12000	235	170	145	9700	200	140
110	155	164	31	44	56	M 12	115	13000	260	160	145	10700	200	130
120	165	174	31	44	56	M 12	115	16000	270	165	145	13100	220	150
130	180	189	39	52	64	M 12	115	23000	350	155	145	19000	290	130
140	190	199	39	54	68	M 14	185	25000	360	150	230	20500	300	140
150	200	209	39	54	68	M 14	185	30000	400	155	230	24500	330	130
160	210	219	39	54	68	M 14	185	38800	480	170	230	31300	390	150
170	225	234	49	64	78	M 14	185	41300	480	130	230	33200	390	110
180	235	244	49	64	78	M 14	185	43700	480	125	230	35000	390	100
190	250	259	49	64	78	M 14	185	57700	600	145	230	46500	500	120
200	260	269	49	64	78	M 14	185	60700	600	140	230	49000	500	110
220	285	294	57	72	88	M 16	290	78100	710	132	360	57100	519	97
240	305	314	57	72	88	M 16	290	106500	848	154	360	77800	649	113
260	325	334	57	72	88	M 16	290	138500	1017	174	360	101200	778	127
280	355	364	66	84	102	M 18	400	160300	1094	143	480	113300	808	101
300	375	384	66	84	102	M 18	400	193200	1230	152	480	136500	910	107
320	405	414	81	101	121	M 20	580	272700	1627	151	690	191000	1193	106
340	425	434	81	101	121	M 20	580	338000	1899	168	690	237000	1393	118
360	455	464	93	116	138	M 22	780	375700	1994	142	930	264000	1465	99
380	475	484	93	116	138	M 22	780	462700	2326	158	930	325000	1709	111
400	495	504	93	116	138	M 22	780	487000	2326	152	930	342000	1709	107



CONEX DS	CONEX ES	
<p><b>Autocentrante - coppie trasmissibili alte.</b> Durante il bloccaggio il mozzo può spostarsi assialmente.</p> <p><b>Self centering - high transmissible torque.</b> During the clamping the hub can axially displace.</p>	<p><b>Autocentrante.</b> Durante il bloccaggio il mozzo rimane fisso assialmente.</p> <p><b>Self centering.</b> During the clamping the hub remains axially fixed.</p>	

CONEX DS CONEX ES (pollici/ inch)	CONEX DS - CONEX ES							CONEX -DS				CONEX -ES			
	d inch	D inch	D1 inch	A inch	B inch	L inch	M mm	Ts ft-lb	T ft.lb	F lbs	P psi	Ts ft-lb	T ft.lb	F lbs	P psi
3/4	0,7500	1,850	2,087	0,866	1,102	1,339	M 6	10	289	9243	19810	13	227	7261	15553
7/8	0,8750	1,850	2,087	0,866	1,102	1,339	M 6	10	337	9243	19810	13	265	7261	15553
1	1,0000	1,969	2,205	0,866	1,102	1,339	M 6	10	385	9243	18613	13	303	7261	14620
1 1/8	1,1250	2,165	2,417	0,866	1,102	1,339	M 6	10	433	9243	16928	13	341	7261	13291
1 3/16	1,1875	2,165	2,417	0,866	1,102	1,339	M 6	10	457	9243	16928	13	359	7261	13291
1 1/4	1,2500	2,362	2,638	0,866	1,102	1,339	M 6	10	642	12324	20688	13	504	9682	16245
1 3/8	1,3750	2,362	2,638	0,866	1,102	1,339	M 6	10	706	12324	20688	13	555	9682	16245
1 7/16	1,4375	2,559	2,835	0,866	1,102	1,339	M 6	10	738	12324	19095	13	580	9682	14995
1 1/2	1,5000	2,559	2,835	0,866	1,102	1,339	M 6	10	770	12324	19095	13	605	9682	14995
1 5/8	1,6250	2,953	3,307	0,984	1,299	1,614	M 8	26	1600	23631	26973	30	1213	17909	20433
1 11/16	1,6875	2,953	3,307	0,984	1,299	1,614	M 8	26	1662	23631	26973	30	1259	17909	20433
1 3/4	1,7500	2,953	3,307	0,984	1,299	1,614	M 8	26	1723	23631	26973	30	1306	17909	20433
1 7/8	1,8750	3,150	3,504	0,945	1,319	1,634	M 8	26	1846	23631	25286	30	1399	17909	19156
1 15/16	1,9375	3,150	3,504	0,945	1,319	1,634	M 8	26	1908	23631	25286	30	1446	17909	19156
2	2,0000	3,150	3,504	0,945	1,319	1,634	M 8	26	1970	23631	25286	30	1492	17909	19156
2 1/8	2,1250	3,346	3,701	0,945	1,319	1,634	M 8	26	2092	23631	23805	30	1586	17909	18029
2 3/16	2,1875	3,346	3,701	0,945	1,319	1,634	M 8	26	2154	23631	23805	30	1633	17909	18029
2 1/4	2,2500	3,543	3,898	0,945	1,319	1,634	M 8	26	2215	23631	22481	30	1679	17909	17028
2 3/8	2,3750	3,543	3,898	0,945	1,319	1,634	M 8	26	2339	23631	22481	30	1772	17909	17028
2 7/16	2,4375	3,740	4,094	0,945	1,319	1,634	M 8	26	2400	23631	21297	30	1819	17909	16132
2 1/2	2,5000	3,740	4,094	0,945	1,319	1,634	M 8	26	2461	23631	21297	30	1865	17909	16132
2 9/16	2,5625	3,740	4,094	0,945	1,319	1,634	M 8	26	2523	23631	21297	30	1912	17909	16132
2 11/16	2,6875	4,331	4,685	1,142	1,575	1,969	M 10	52	4312	38506	24957	61	3308	29538	19148
2 3/4	2,7500	4,331	4,685	1,142	1,575	1,969	M 10	52	4412	38506	24957	61	3384	29538	19148
2 7/8	2,8750	4,528	4,882	1,142	1,575	1,969	M 10	52	4613	38506	23871	61	3538	29538	18316
2 15/16	2,9375	4,528	4,882	1,142	1,575	1,969	M 10	52	4713	38506	23871	61	3616	29538	18316
3	3,0000	4,724	5,079	1,142	1,575	1,969	M 10	52	4813	38506	22880	61	3693	29538	17553
3 1/4	3,2500	4,921	5,276	1,142	1,575	1,969	M 10	52	6518	48132	27456	61	4000	29538	16850
3 3/8	3,3750	4,921	5,276	1,142	1,575	1,969	M 10	52	6769	48132	27456	61	5192	36923	21063
3 7/16	3,4375	5,118	5,472	1,142	1,575	1,969	M 10	52	6894	48132	26399	61	5289	36923	20253
3 1/2	3,5000	5,118	5,472	1,142	1,575	1,969	M 10	52	7019	48132	26399	61	5385	36923	20253
3 3/4	3,7500	5,315	5,669	1,142	1,575	1,969	M 10	52	7521	48132	25420	61	5769	36923	19503
3 15/16	3,9375	5,709	6,063	1,260	1,732	2,205	M 12	85	8779	53511	24281	107	7162	43651	19815
4	4,0000	5,709	6,063	1,260	1,732	2,205	M 12	85	8918	53511	24281	107	7275	43651	19815

# CONEX D - CONEX E

## CONEX D

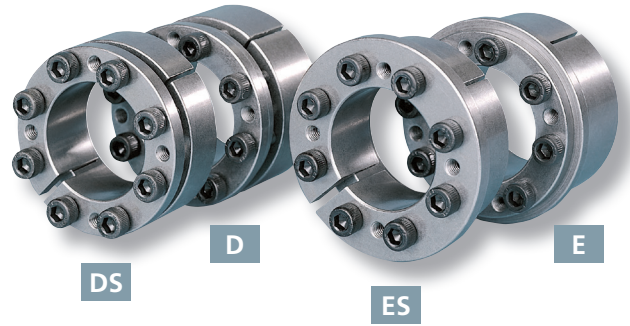
**Autocentrante - coppie trasmissibili alte.** Durante il bloccaggio il mozzo può spostarsi assialmente.

**Self centering - high transmissible torque.**  
During the clamping the hub can axially displace.

## CONEX E

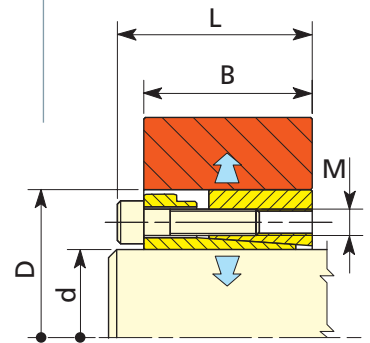
**Autocentrante.** Durante il bloccaggio il mozzo rimane fisso assialmente.

**Self centering.**  
During the clamping the hub remains axially fixed.



CONEX D - CONEX E							CONEX D				CONEX E			
d mm	D mm	D <sub>1</sub> mm	A mm	B mm	L mm	M mm	T <sub>s</sub> Nm	T Nm	F kN	P N/mm <sup>2</sup>	T <sub>s</sub> Nm	T Nm	F kN	P N/mm <sup>2</sup>
20	47	53	31	42	48	M 6	17	530	52	110	17	320	33	70
22	47	53	31	42	48	M 6	17	580	52	110	17	360	33	70
24	50	56	31	42	48	M 6	17	630	52	100	17	390	33	70
25	50	56	31	42	48	M 6	17	660	52	100	17	400	33	70
28	55	61	31	42	48	M 6	17	740	52	100	17	450	33	60
30	55	61	31	42	48	M 6	17	790	52	100	17	490	33	60
32	60	66	31	42	48	M 6	17	1150	70	120	17	690	43	70
35	60	66	31	42	48	M 6	17	1300	70	120	17	750	43	70
38	65	71	31	42	48	M 6	17	1300	70	110	17	820	43	70
40	65	71	31	42	48	M 6	17	1400	70	110	17	860	43	70
42	75	81	35	51	59	M 8	41	2000	100	120	41	1300	60	70
45	75	81	35	51	59	M 8	41	2200	100	120	41	1400	60	70
48	80	86	35	51	59	M 8	41	3200	130	150	41	1900	80	90
50	80	86	35	51	59	M 8	41	3300	130	150	41	2000	80	90
55	85	91	35	51	59	M 8	41	3600	130	140	41	2200	80	90
60	90	96	35	51	59	M 8	41	3900	130	130	41	2400	80	80
65	95	101	35	51	59	M 8	41	4300	130	120	41	2600	80	70
70	110	119	46	61	71	M 10	83	7500	210	130	83	4600	130	80
75	115	124	46	61	71	M 10	83	8000	210	130	83	5000	130	80
80	120	129	46	61	71	M 10	83	8500	210	120	83	5200	130	70
85	125	134	46	61	71	M 10	83	11400	270	150	83	7000	170	90
90	130	139	46	61	71	M 10	83	12000	270	140	83	7400	170	80
95	135	144	46	61	71	M 10	83	12600	280	135	83	7800	170	80
100	145	155	52	68	80	M 12	145	15000	300	130	145	9800	190	80
110	155	165	52	68	80	M 12	145	16500	300	120	145	10700	190	70
120	165	175	52	68	80	M 12	145	22500	370	140	145	14600	240	90
130	180	188	52	68	80	M 12	145	29000	450	150	145	19000	300	100
140	190	199	58	76	90	M 14	210	32000	460	130	230	23000	330	90
150	200	209	58	76	90	M 14	210	41000	550	150	230	30000	400	100
160	210	219	58	76	90	M 14	210	44000	550	140	230	32000	400	100
170	225	234	58	76	90	M 14	210	54500	640	160	230	39000	460	110
180	235	244	58	76	90	M 14	210	57500	640	150	230	41000	460	100
190	250	259	58	76	90	M 14	210	65000	689	146	230	46400	488	104
200	260	269	58	76	90	M 14	210	68000	689	141	230	48800	488	100
220	285	294	72	98	114	M 16	325	82000	747	109	360	59900	544	79

CONEX D



CONEX E

