

HP5

ELECTRIC LINEAR ACTUATOR

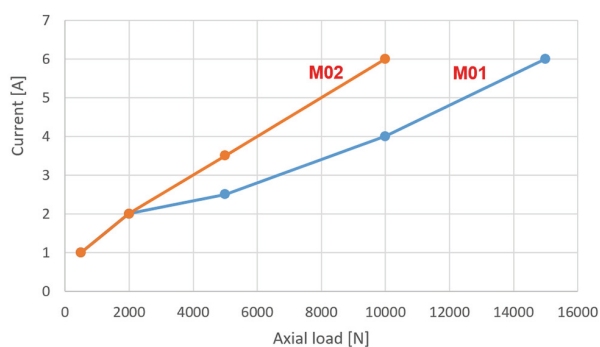
**UP TO 15000 N OF FORCE AT THE SERVICE
OF YOUR LINEAR MOTION**

PERFORMANCES

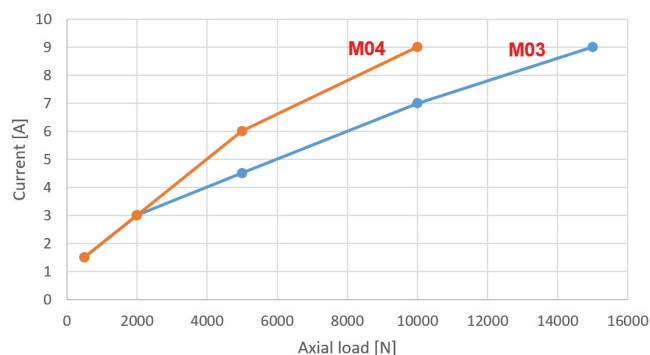
DC MOTOR D59 24V 3000 RPM						
Max. axial force [N]	Speed [mm/s]	Version	Consumption [A]	Screw type	Screw diameter [mm]	Screw pitch [mm]
15000	2	M01	6	ACME	25	5
10000	4	M02	6	ACME	25	10
DC MOTOR D59 24V 4900 RPM						
Max. axial force [N]	Speed [mm/s]	Version	Consumption [A]	Screw type	Screw diameter [mm]	Screw pitch [mm]
15000	3	M03	9	ACME	25	5
10000	5,5	M04	9	ACME	25	10

CURRENT DIAGRAMS

D59 24 Vdc 3000 [rpm]

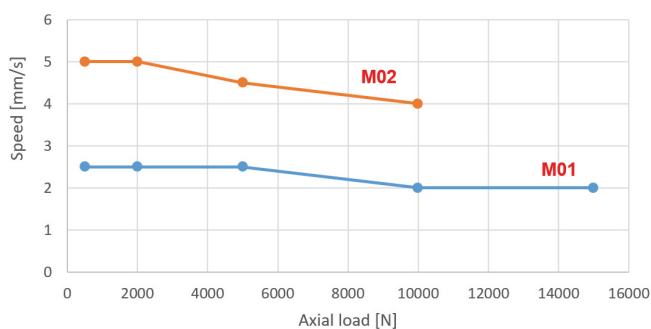


D59 24 Vdc 4900 [rpm]

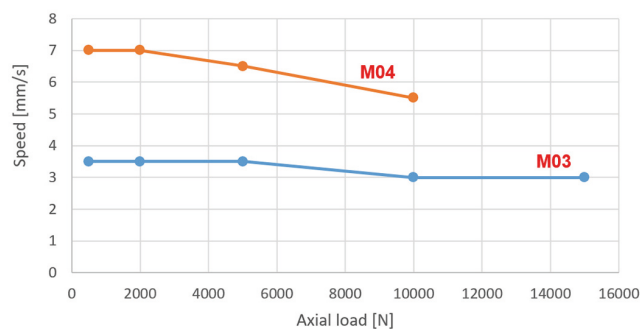


SPEED DIAGRAMS

D59 24 Vdc 3000 [rpm]



D59 24 Vdc 4900 [rpm]



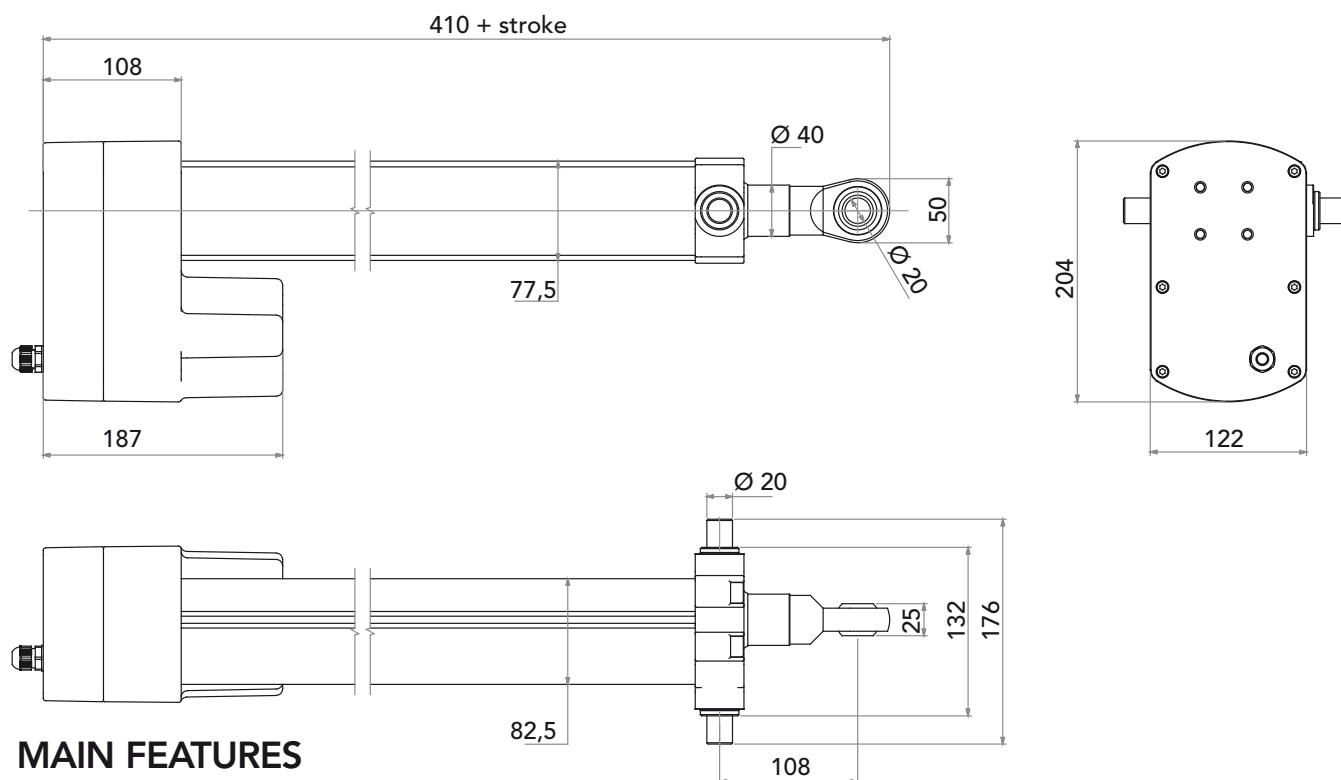
3000/4900 rpm are referred to the motor speed, with no-load.

Mechanical resistance features:

- Max static axial force: 45000 N up to 450 mm stroke, both in push and pull
- For longer strokes max static axial force in push decreases to a minimum of 11500 N with 1000 mm stroke

Never allow the linear actuator to reach the mechanical stop in order to avoid damages of internal components.

DIMENSIONS



MAIN FEATURES

- Permanent magnet motor
- Steel cross gearbox
- Steel ACME lead screw
- Stainless steel or chrome plated steel push rod
- Aluminum housing and cover tube
- Grease lubrication
- IP65 protection degree
- Working temperature range $-10/+60^{\circ}\text{C}$
- Intermittent duty



Since 1987 MecVel designs and manufactures electric linear actuators, tailored by a customization service developed with the aim to offer reliable solutions for the industrial automation field.

The high performances supplied by HP5 are ensured by the use of top quality components and a great attention for dimensions and fixing systems, making it versatile and easy to install in any system:

- The motor parallel to the body of the linear actuator allows to reduce product dimensions, transferring directly the motion to the input shaft in order to avoid losses in terms of efficiency
- The linear actuator is self-locking in static conditions and the electric system used do not have valves, pipes and compressors as in hydraulic systems, excluding the risk of oil leaks and making the product suitable to work in sterile environments (as medical and food industry)
- The installation is fast and clean, maintenance operations are minimal also in case of outdoor applications, thanks to the resistance against atmospheric agents as wind, salinity, dust, rain or high temperatures

Due to the importance that renewable energies have for the company, HP5 performances have been specifically developed to meet photovoltaic industry needs, with a product able to keep a very high static load also in case of long strokes ($> 500\text{ mm}$), maintaining extremely low both speed and consumption (15000 N with 2 mm/s and 6 A).

HP5 states itself as a new configuration characterized by structural strength and flexibility, to model itself in compliance with applications requiring high load capacity and moderate speed, to get precise movements controlled by a limit switches system and a constant feedback on the position reached.

ORDERING KEY

HP5 / 0800 / M01 / CC-24-59-3000 / FECC / E01 / P1 / A1 / A / L /

MODEL: _____

HP5

STROKE (mm): _____

800 mm = 0800

VERSION: _____

M01/M02/M03/M04

M00 in case of not standard speed

MOTOR: _____

Indicate version, voltage, size and speed

BRAKE: _____

FECC AS-24 Vdc: brake with separated power supply

Without brake: leave blank

ENCODER: _____

E01: encoder 2 channels 1 ppr NPN

Without encoder: leave blank

REAR END: _____

P0: without end (available only with OP option)

P1: eyelet

P2: 90° eyelet

P3: special rear end (technical drawing needed)

FRONT END: _____

A0: without end

A1: eyelet

A3: yoke + clip

A4: ball joint

A7: male M20x1,5

A9: special front end (technical drawing needed)

OPTIONS: _____

A: stainless steel version (push rod and front end)

FCD: diode-wired mechanical limit switches

FCM: magnetic limit switches

FX: anti-corrosion protective painting

L: anti-rotation device

OP: swiveling version

VARIANTS: _____

Drawing number

MecVel reserves the right to modify without notice any information and/or feature related to its products.

Data contained in this document are indicative and not binding for the company.

